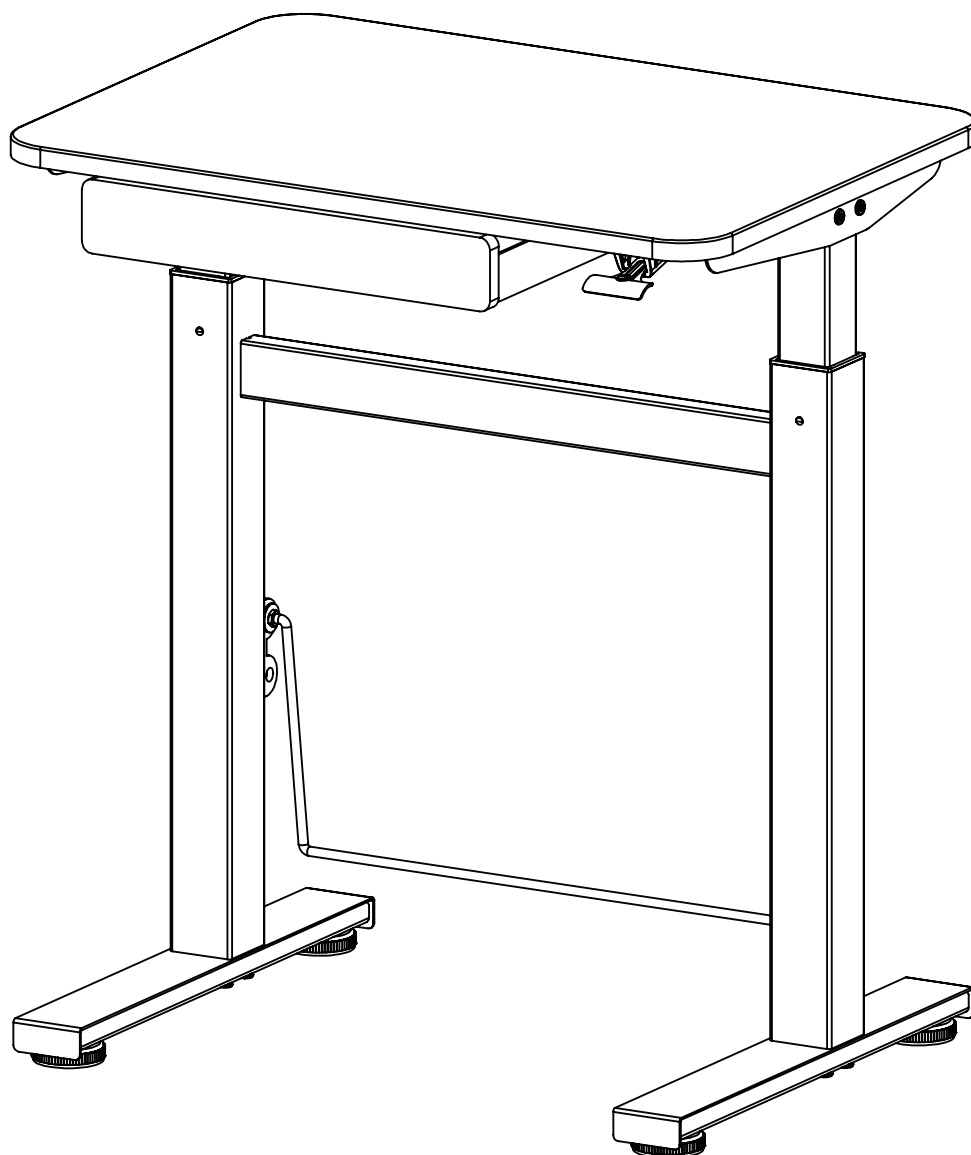

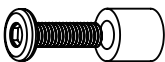

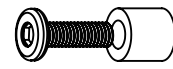
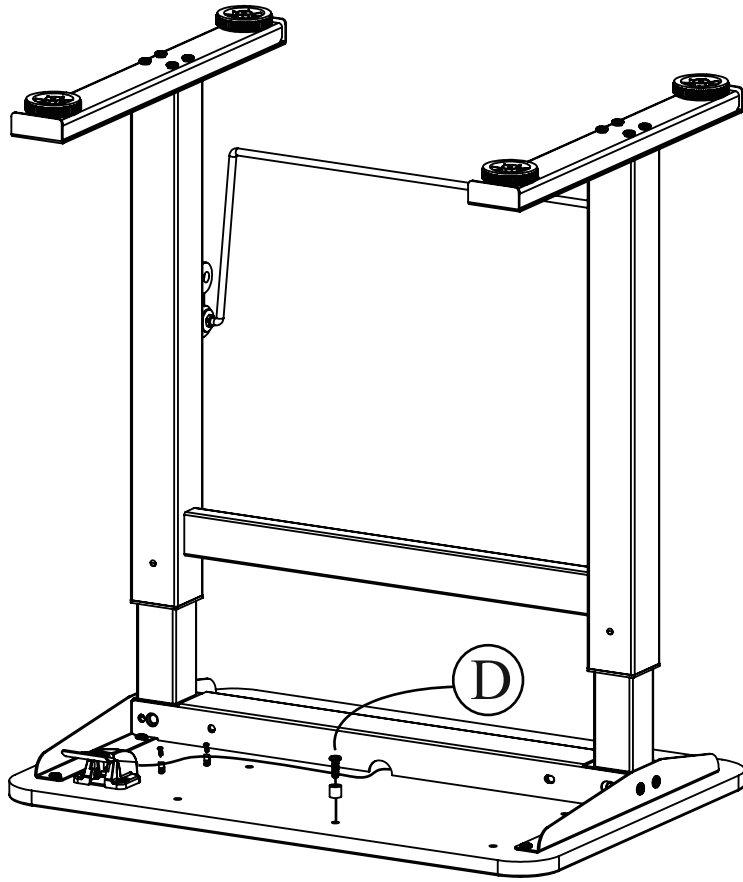


# ASSEMBLY INSTRUCTION



	Bx4	M6x12mm		Dx1	M6x20mm
	Fx1	4mm			

1

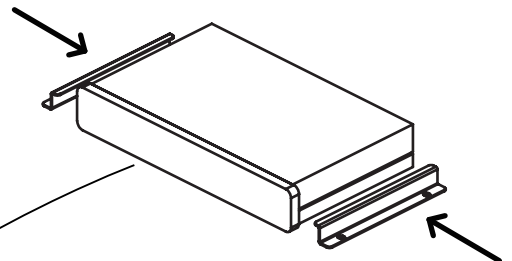
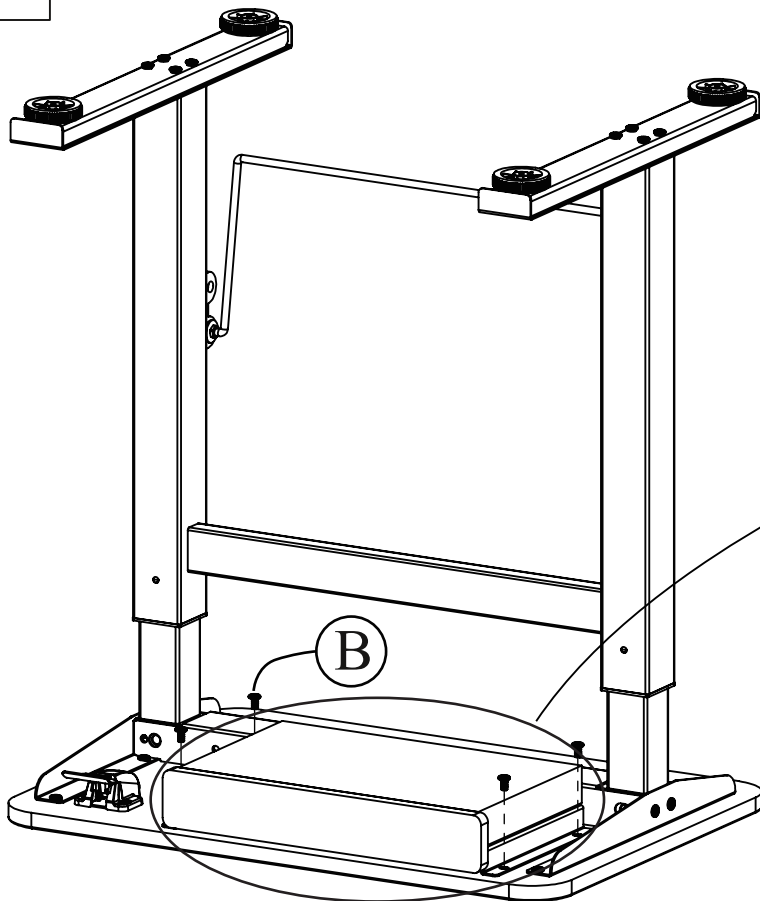


Dx1



Fx1

2



Bx4



Fx1