

LDT20 Series

Aluminum Slim  
Mechanical Spring  
**Monitor Arm**

Aesthetically designed with functionality and ease





## LDT20 Series

# Aluminum Slim Mechanical Spring Monitor Arm

### 1/2/3/ Ease of Installation

No more crawling under desks on your hands and knees! With the new top mounting feature, installations can be made from above the desk, quickly and easily. Installing monitor arms has never been easier or more convenient thereby greatly reduces installation time.



**Clamp & Grommet Installation**  
accommodate more users



**1**  
**Installs from Top Side**  
installs entirely from above the desk surface



**2**  
**Smooth Arm Insertion**  
ensures easy installation



**3**  
**Built-In Elbow Spring Gauge**  
allows perfect weight adjustments at any level

# LDT20 Series

## Aluminum Slim Mechanical Spring Monitor Arm

### LDT20-C012



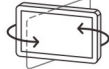
Screen Size  
17" ~ 32"



VESA Compatible  
75x75 100x100



Tilt Range  
+90° ~ -90°



Swivel Range  
+90° ~ -90°



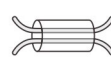
Screen Rotation  
+90° ~ -90°



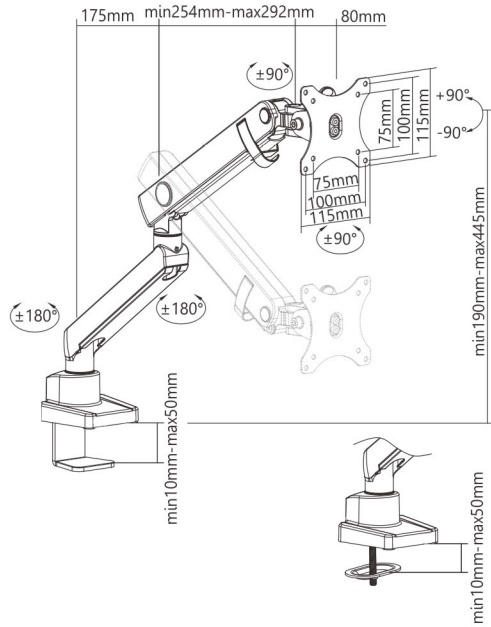
Weight Capacity  
0-8kg/0-17.6lbs



Detachable  
VESA Plate



Cable  
Management



### LDT20-C024



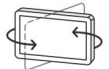
Screen Size  
17" ~ 32"



VESA Compatible  
75x75 100x100



Tilt Range  
+90° ~ -90°



Swivel Range  
+90° ~ -90°



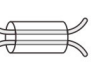
Screen Rotation  
+90° ~ -90°



Weight Capacity  
0-8kg/0-17.6lbs  
(x2)



Detachable  
VESA Plate



Cable  
Management

