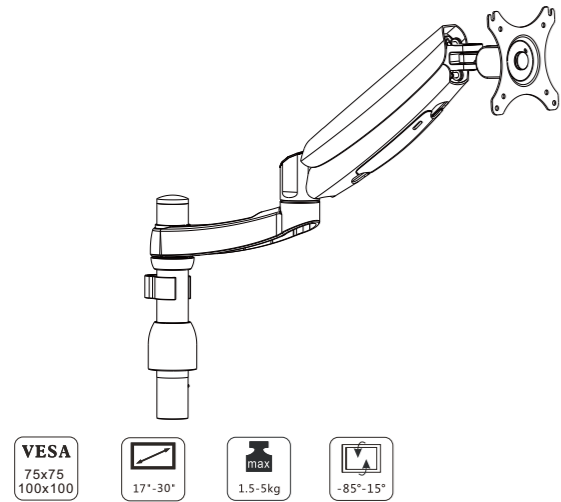


# FLEXIDESK

Item No.: DLB504-B41

Installation guide

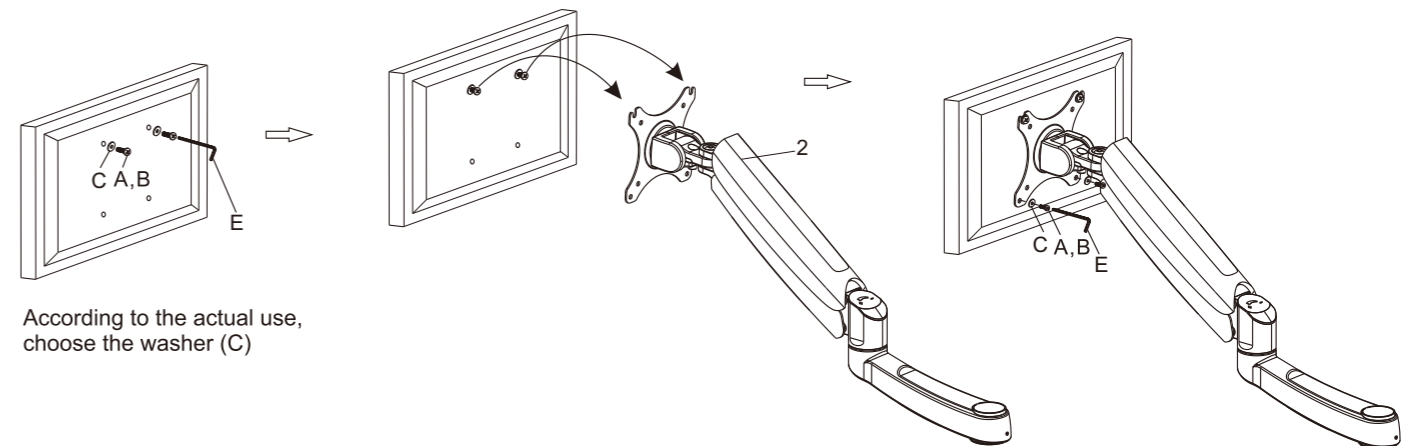


**M4X12MM A (4PCS)**    **M5X12MM B (4PCS)**    **φ6.5Xφ13X1.8 C (8PCS)**    **3x3mm D (1PC)**    **5x5MM Allen Key E (1PC)**

1. Pole Cover (1PC)
2. VESA Plate (1PC)
3. Cable Management 1 (1 PC)
4. Pole Collar (1 PC)
5. Pole (1 PC)
6. Cable Management 2 (1 PC)
7. Cable Tie (6 PCS)
8. Decorative Cover (1 PC)

## STEP3

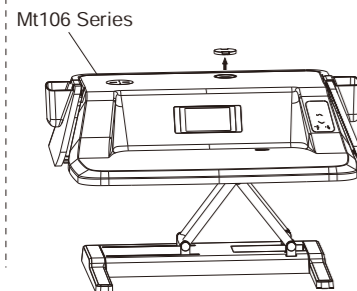
Install the monitor to the VESA plate



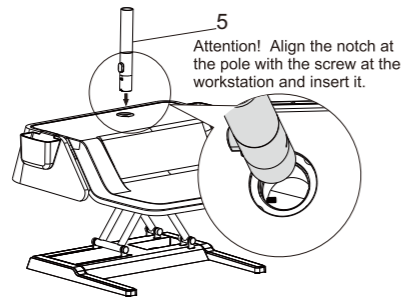
## STEP1

Assemble the tube to the workstation

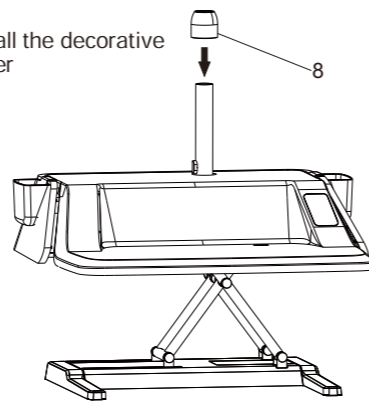
1 Take away the cover



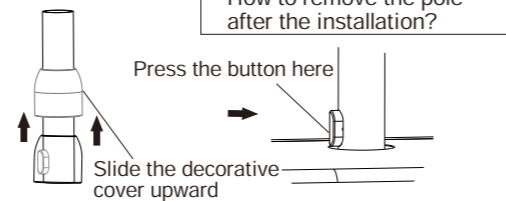
2 Assemble the tube



3 Install the decorative cover

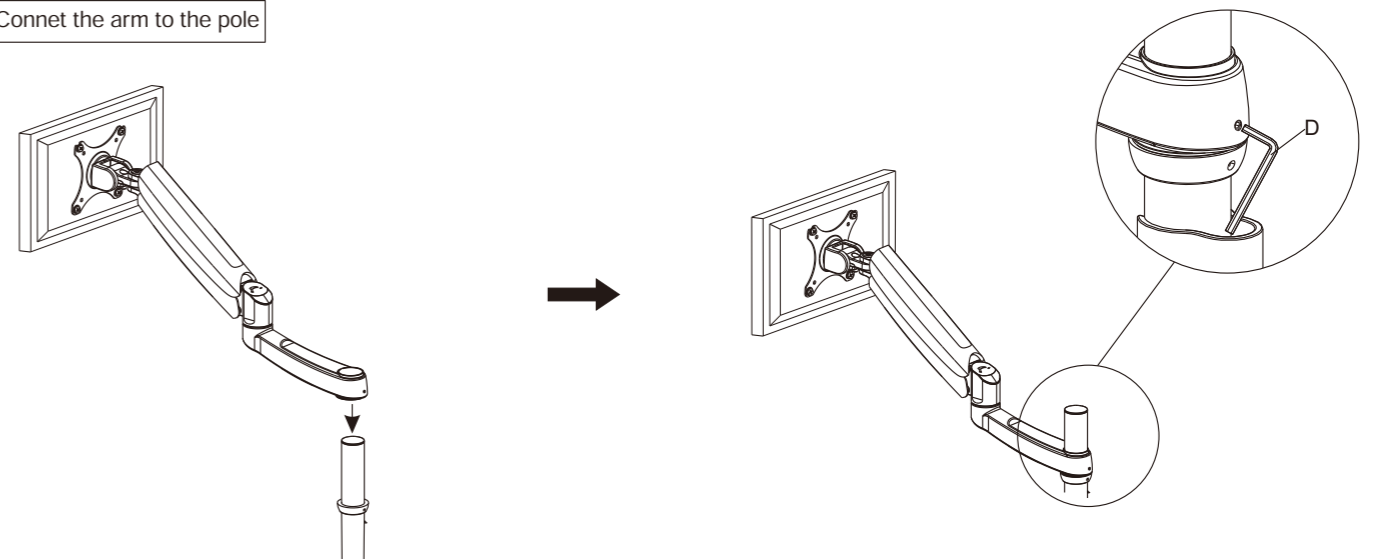


How to remove the pole after the installation?



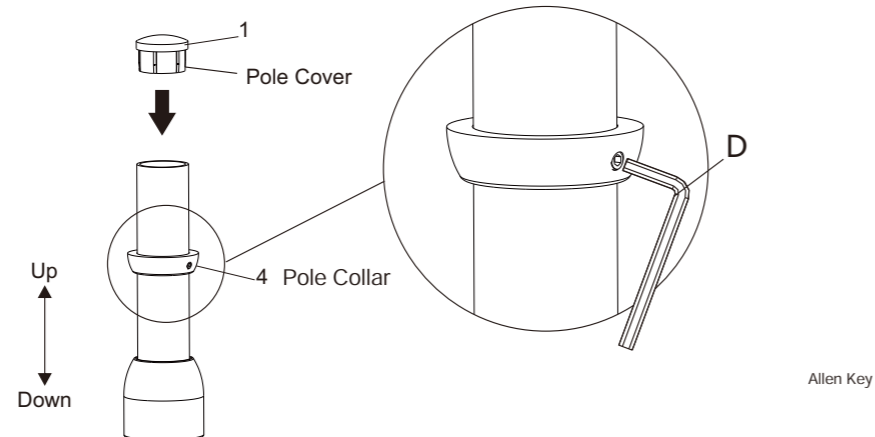
## STEP4

Connect the arm to the pole



## STEP2

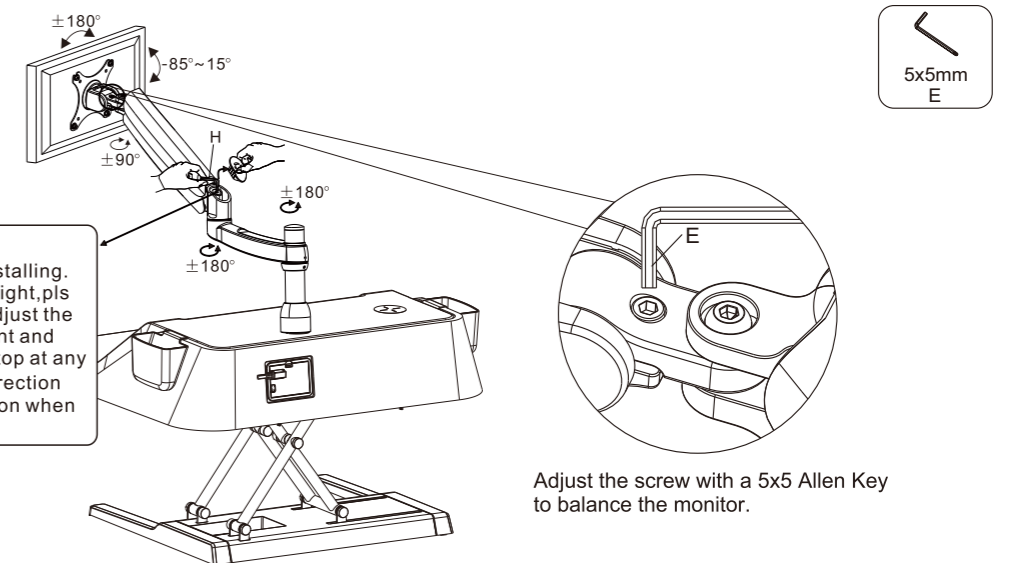
Adjust the Pole Collar and Pole Cover



## STEP5

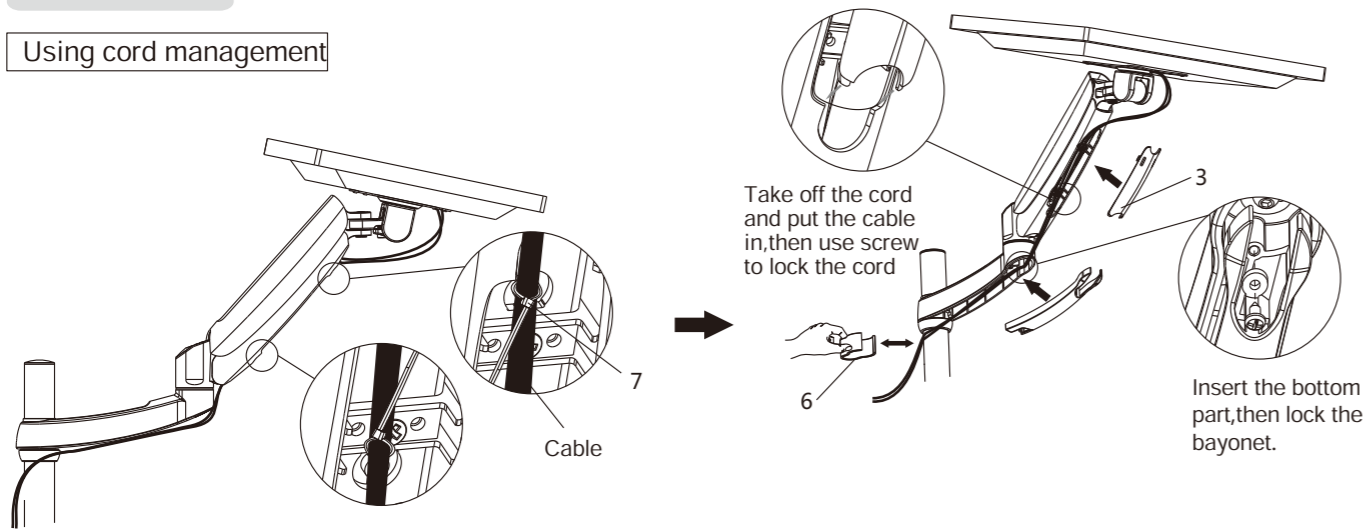
Adjust the monitor

Factory setting: 2.5-3.5KG  
Adjust the monitor's height after installing. If the monitor cannot stop at any height, pls use the supplied 5x5 allen key to adjust the screw on the arm. To make the mount and monitor's weight equal and it can stop at any height, pls adjust the screw in "-" direction when the monitor up and "+" direction when it down.



## STEP 6

Using cord management



### CAUTION

This product contains small items that could be a choking hazard if swallowed. Keep these items away from young children.

- Make Sure these instructions are read and completely understood before attempting installation. If you are unsure of any part of this installation, please contact a professional installer for assistance.
- The desk or mounting surface must be capable of supporting the combined weight of the mount and the display, otherwise the structure must be reinforced.
- please check joint parts every two months, making sure the screws are loosened or not.

This product was designed to be installed on desk. Before installing, make sure the mount will support the combined load of the equipment and hardware. Never exceed the maximum load capacity 5 KG, or else it may result in product failure or personal injury.

Note: this product is intended for indoor use only. Use of this product outdoors could lead to product failure or personal injury.

**Warning:** This product contains high pressure gas spring parts, please do not put it into fire, high temperature, or disassemble it, which will lead to unexpected personal injury. The obsolete products can be sent back to the manufacturer or handed over to professional institutions.  
To ensure the sealing performance of the gas spring, it is suggested to have complete adjustment to the upper arm (with spring) one time or several times every month.